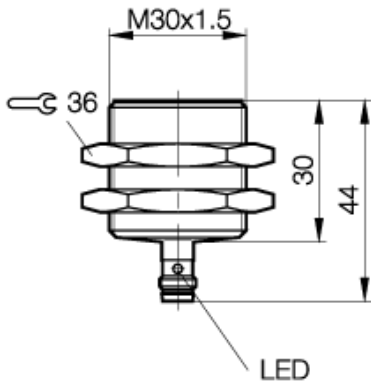


cyl. M30  
 Sn = 15 mm  
 DC 3-Wire  
 shielded



PX0054a



1<sup>2</sup>3



Utilization categories DC 13

Notes  
 Mounting with free zone of 3.0mm

Further Information:



Einbauhinweise 825357

If not differently indicated,  
 all values by IEC 60947-5-2 (DIN EN60947-5-2)  
 Specifications subject to change

Balluff GmbH  
 Postfach 1160  
 73761 Neuhausen  
 Telefon (07158) 173-0  
 Telefax (07158) 5010

**Common Data**

Mounting		shielded
Rated operating distance Sn	mm	15,0
Assured operating distance Sa	mm	0...12.0
Repeatability	%	<= 5
Hysteresis	%	<= 15
Function Indication		yes
Ambient temperature range	°C	-25...+70
Polution Degree		3
IEC-Code		I1A30BP2
Time delay before availability	ms	<= 10

**Mechanical Data**

Housing size	mm	cyl. M30
Measurements BxHxT or DxT	mm	M30x1.5 x 44
Housing material		nickel plated brass
Material of sensing face		PA 12
Degree of protection		IP67
Connection		Connector S49

**Electrical Data**

Current type		DC
Wiring		3-Wire
switching function		normally-closed
Output signal		PNP
Rated operational voltage	V	24 DC
Rated operational current	mA	130
Supply voltage	V	10...30 DC
Ripple	%	<= 15
Rated supply frequency	Hz	100
No-load supply current	mA	<= 12/ <= 25
Off-state current	µA	<= 80
Voltage drop	V	<= 3.5/-
Short circuit protection		yes
Protected against polarity reversal		yes

**EMV**

ESD/RFI/Burst/IVW  
 Emission

21.01.2004 / Online-Information

