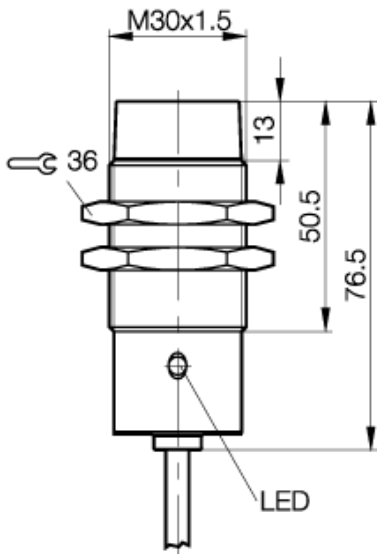
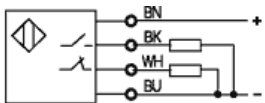


cyl. M30  
 Sn = 15 mm  
 DC 4-Wire  
 unshielded



PX0024a



Utilization categories DC 13

If not differently indicated,  
 all values by IEC 60947-5-2 (DIN EN60947-5-2)  
 Specifications subject to change  
 Balluff GmbH  
 Postfach 1160  
 73761 Neuhausen  
 Telefon (07158) 173-0  
 Telefax (07158) 5010

**Common Data**

Mounting		unshielded
Rated operating distance Sn	mm	15,0
Assured operating distance Sa	mm	0...12.2
Repeatability	%	<= 5
Hysteresis	%	<= 15
Function indication		yes
Ambient temperature range	°C	-25...+70
Polution Degree		3
IEC-Code		I2A30CP1
Time delay before availability	ms	<= 10

**Mechanical Data**

Housing size	mm	cyl. M30
Measurements BxHxT or DxT	mm	M30x1.5 x 76.5
Housing material		nickel plated brass
Material of sensing face		PA 12
Degree of protection		68 acc. BWN Pr 20
Connection		Cable
Cable type		LiYY-O

**Electrical Data**

Current type		DC
Wiring		4-Wire
switching function		Complementary
Output signal		PNP
Rated operational voltage	V	24 DC
Rated operational current	mA	200
Supply voltage	V	10...30 DC
Ripple	%	<= 15
Rated supply frequency	Hz	100
No-load supply current	mA	<= 30 / <= 20
Off-state current	µA	<= 80
Voltage drop	V	<= 2.5/-
Short circuit protection		yes
Protected against polarity reversal		yes

**EMV**

ESD/RFI/Burst/IVW  
 Emission

10.03.2005 / Online-Information