

cyl. M12  
 Sn = 2 mm  
 DC 3-Wire  
 shielded

**Common Data**

Mounting		shielded
Rated operating distance Sn	mm	2,0
Assured operating distance Sa	mm	0...1.6
Repeatability	%	<= 5
Hysteresis	%	<= 15
Function Indication		yes
Ambient temperature range	°C	-25...+70
Polution Degree		3
IEC-Code		I1A12AN2
Time delay before availability	ms	<= 10

**Mechanical Data**

Housing size	mm	cyl. M12
Measurements BxHxT or DxT	mm	M12x1 x 65
Housing material		nickel plated brass
Material of sensing face		PA 12
Degree of protection		68 acc. BWN Pr 20
Connection		Connector S4

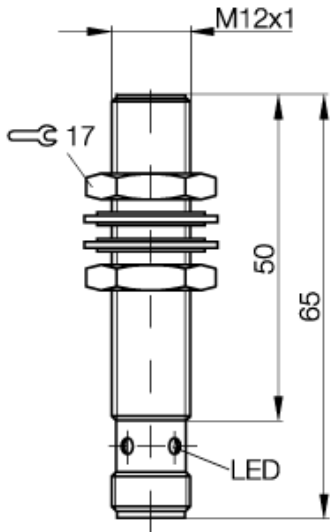
**Electrical Data**

Current type		DC
Wiring		3-Wire
switching function		normally-open
Output signal		NPN
Rated operational voltage	V	24 DC
Rated operational current	mA	200
Supply voltage	V	12...30 DC
Ripple	%	<= 15
Rated supply frequency	Hz	1200
No-load supply current	mA	<= 15
Off-state current	µA	<= 20
Voltage drop	V	<= 2.5/-
Short circuit protection		yes
Protected against polarity reversal		yes

**EMV**

ESD/RFI/Burst/IVW  
 Emission

07.06.2004 / Online-Information



PX1407



Utilization categories DC 13

If not differently indicated,  
 all values by IEC 60947-5-2 (DIN EN60947-5-2)  
 Specifications subject to change

Balluff GmbH  
 Postfach 1160  
 73761 Neuhausen  
 Telefon (07158) 173-0  
 Telefax (07158) 5010

