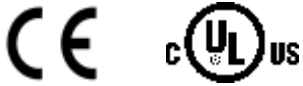
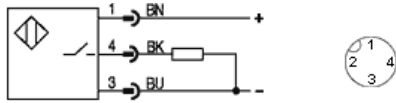
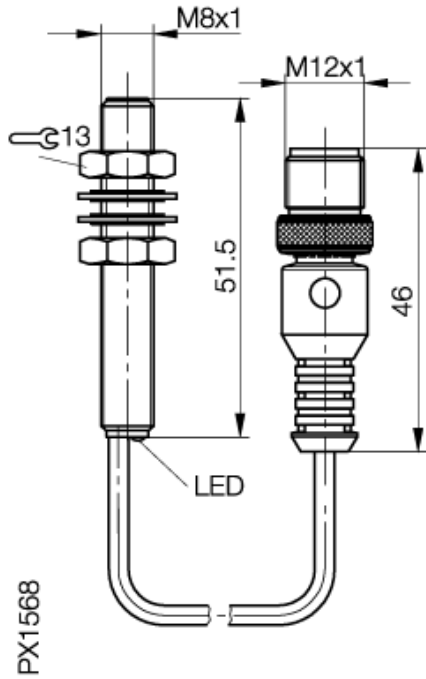


cyl. M 8
 Sn = 4 mm
 DC 3-Wire
 shielded

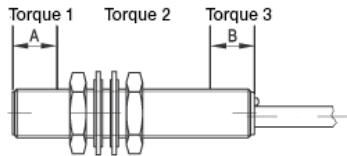


Utilization categories DC 13

Further information:

■ Einbauhinweise 825356 ■ Hinweis EMV Schutzbeschaltung

■ Tightening torque:



| | | |
|----------|----|---|
| Torque 1 | Nm | 3 |
| Torque 2 | Nm | 6 |
| Torque 3 | Nm | 3 |
| A | mm | 8 |
| B | mm | 8 |

If only torque1 is indicated,
 this applies to entire thread

If not differently indicated,
 all values by IEC 60947-5-2 (DIN EN60947-5-2)
 Specifications subject to change

Common Data

| | | |
|--------------------------------|----|----------|
| Mounting | | shielded |
| Rated operating distance Sn | mm | 4,0 |
| Assured operating distance Sa | mm | 0...2,9 |
| Repeatability | % | <= 5 |
| Hysteresis | % | ≤15 |
| Function indication | | yes |
| Ambient temperature range | °C | 0...+60 |
| IEC-Code | | I1A08AP2 |
| Time delay before availability | ms | ≤10 |

Mechanical Data

| | | |
|---------------------------|----|-------------------------|
| Housing size | mm | cyl. M 8 |
| Measurements BxHxT or DxT | mm | M 8x1 x 51.5 |
| Housing material | | nickel plated brass |
| Material of sensing face | | PBTP |
| Degree of protection | | IP67 |
| Connection | | Cable with Connector S4 |
| Cable type | | LIFY-11Y-O |

Electrical Data

| | | |
|-------------------------------------|----|---------------|
| Current type | | DC |
| Wiring | | 3-Wire |
| switching function | | normally-open |
| Output signal | | PNP |
| Rated operational voltage | V | 24 DC |
| Rated operational current | mA | 200 |
| Supply voltage | V | 10...30 DC |
| Ripple | % | ≤15 |
| Rated supply frequency | Hz | 800 |
| Minimum operational current | mA | 0 |
| No-load supply current | mA | <= 10 |
| Off-state current | µA | <= 10/≤8 |
| Voltage drop | V | <= 2.8 |
| Short circuit protection | | yes |
| Protected against polarity reversal | | yes |

26.01.2005 / Online-Information

