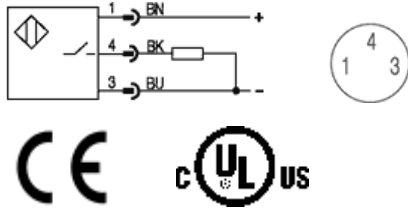
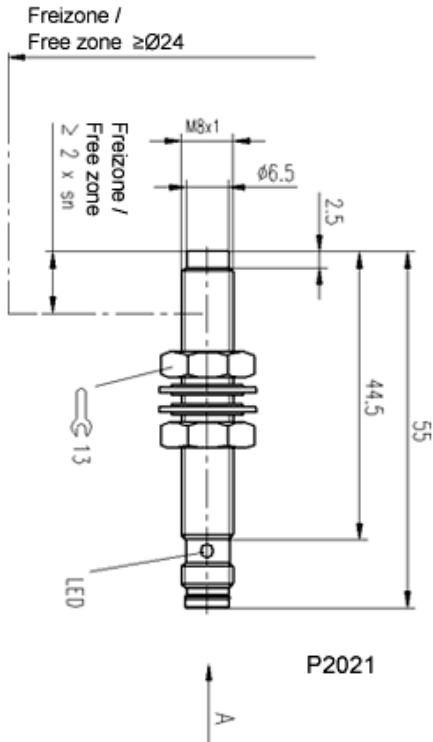


cyl. M 8
Sn = 2,5 mm
DC 3-Wire
unshielded



Utilization categories DC 13

Further information:
■ Hinweis EMV Schutzbeschaltung

If not differently indicated,
all values by IEC 60947-5-2 (DIN EN60947-5-2)
Specifications subject to change
Balluff GmbH
Postfach 1160
73761 Neuhausen
Telefon (07158) 173-0
Telefax (07158) 5010

Common Data

Mounting		unshielded
Rated operating distance Sn	mm	2,5
Assured operating distance Sa	mm	0...2
Repeatability	%	≤ 5
Hysteresis	%	≤ 15
Function indication		yes
Ambient temperature range	°C	-25...+70
Polution Degree		3
IEC-Code		I2A08AP2
Time delay before availability	ms	≤ 20

Mechanical Data

Housing size	mm	cyl. M 8
Measurements BxHxT or DxT	mm	M8x1 x 55
Housing material		stainless steel
Material of sensing face		PA 12
Degree of protection		68 acc. BWN Pr 20
Connection		Connector S49

Electrical Data

Current type		DC
Wiring		3-Wire
switching function		normally-open
Output signal		PNP
Rated operational voltage	V	24 DC
Rated operational current	mA	200
Supply voltage	V	10...30 DC
Ripple	%	≤ 15
Rated supply frequency	Hz	2000
No-load supply current	mA	≤ 9/≤ 3
Off-state current	µA	≤ 20
Voltage drop	V	≤ 2.5/-
Short circuit protection		yes
Protected against polarity reversal		yes

08.09.2006 / Online-Information

