

cyl. M18
Sn = 5 mm
DC 3-Wire
shielded

Common Data

| | | |
|--------------------------------|----|-----------|
| Mounting | | shielded |
| Rated operating distance Sn | mm | 5,0 |
| Assured operating distance Sa | mm | 0...4.0 |
| Repeatability | % | <= 5 |
| Hysteresis | % | <= 15 |
| Function Indication | | yes |
| Ambient temperature range | °C | -25...+70 |
| Polution Degree | | 3 |
| IEC-Code | | I1A18AN1 |
| Time delay before availability | ms | <= 10 |

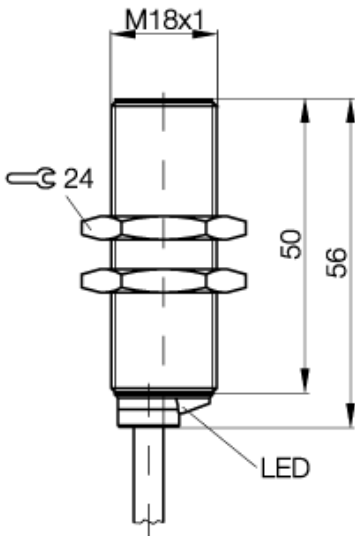
Mechanical Data

| | | |
|---------------------------|----|---------------------|
| Housing size | mm | cyl. M18 |
| Measurements BxHxT or DxT | mm | M18x1 x 56 |
| Housing material | | nickel plated brass |
| Material of sensing face | | PA 12 |
| Degree of protection | | 68 acc. BWN Pr 20 |
| Connection | | Cable |
| Cable type | | LIYY-O |

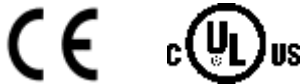
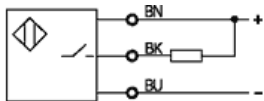
Electrical Data

| | | |
|-------------------------------------|----|---------------|
| Current type | | DC |
| Wiring | | 3-Wire |
| switching function | | normally-open |
| Output signal | | NPN |
| Rated operational voltage | V | 24 DC |
| Rated operational current | mA | 200 |
| Supply voltage | V | 12...30 DC |
| Ripple | % | <= 15 |
| Rated supply frequency | Hz | 700 |
| No-load supply current | mA | <= 15 |
| Off-state current | µA | <= 20 |
| Voltage drop | V | <= 2.5/- |
| Short circuit protection | | yes |
| Protected against polarity reversal | | yes |

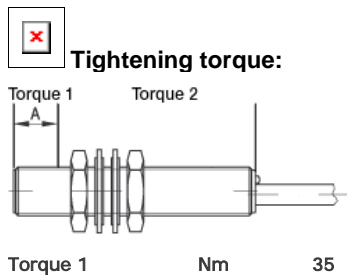
03.06.2004 / Online-Information



PX0268



Utilization categories DC 13



Torque 1 Nm 35

If only torque1 is indicated, this applies to entire thread

If not differently indicated, all values by IEC 60947-5-2 (DIN EN60947-5-2) Specifications subject to change

Balluff GmbH
Postfach 1160
73761 Neuhausen
Telefon (07158) 173-0
Telefax (07158) 5010

