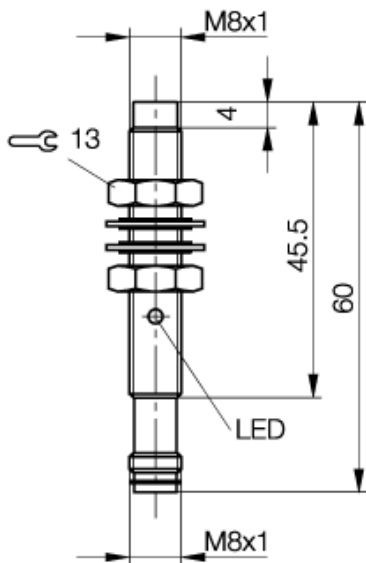


cyl. M 8  
 Sn = 6 mm  
 DC 3-Wire  
 unshielded



PX1481



1 4 3



Utilization categories DC 13

If not differently indicated,  
 all values by IEC 60947-5-2 (DIN EN60947-5-2)  
 Specifications subject to change

Balluff GmbH  
 Postfach 1160  
 73761 Neuhausen  
 Telefon (07158) 173-0  
 Telefax (07158) 5010

**Common Data**

Mounting		unshielded
Rated operating distance Sn	mm	6,0
Assured operating distance Sa	mm	0...4,9
Repeatability	%	<= 5
Function Indication		yes
Ambient temperature range	°C	-25...+70

**Mechanical Data**

Housing size	mm	cyl. M 8
Measurements BxHxT or DxT	mm	M 8 x 60
Housing material		CuZn chrome plated
Material of sensing face		PBT
Degree of protection		IP67
Connection		Connector S49

**Electrical Data**

Current type		DC
Wiring		3-Wire
switching function		normally-open
Output signal		NPN
Rated operational voltage	V	24 DC
Rated operational current	mA	200
Supply voltage	V	10...30 DC
Rated supply frequency	Hz	500
No-load supply current	mA	<= 12
Off-state current	µA	<= 100
Voltage drop	V	<= 2
Short circuit protection		yes
Protected against polarity reversal		yes

21.01.2004 / Online-Information

