

cyl. M12
 Sn = 6 mm
 DC 3-Wire
 quasi shielded

Common Data

Mounting		quasi shielded
Rated operating distance Sn	mm	6,0
Assured operating distance Sa	mm	0...4,9
Repeatability	%	<= 5
Function indication		yes
Ambient temperature range	°C	-25...+70

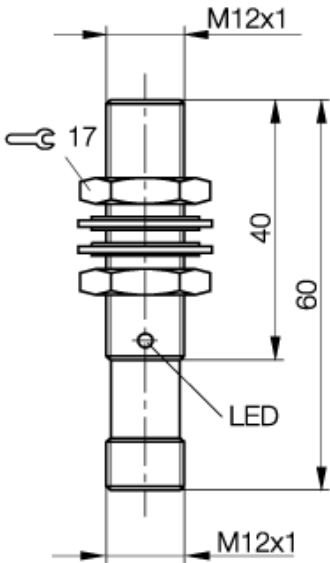
Mechanical Data

Housing size	mm	cyl. M12
Measurements BxHxT or DxT	mm	M12 x 60
Housing material		CuZn chrome plated
Material of sensing face		PBT
Degree of protection		IP67
Connection		Connector S4

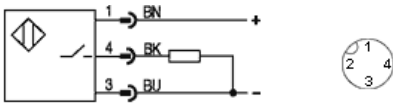
Electrical Data

Current type		DC
Wiring		3-Wire
switching function		normally-open
Output signal		PNP
Rated operational voltage	V	24 DC
Rated operational current	mA	200
Supply voltage	V	10...30 DC
Rated supply frequency	Hz	800
No-load supply current	mA	<= 10
Off-state current	µA	<= 100
Voltage drop	V	<= 2
Short circuit protection		yes
Protected against polarity reversal		yes

11.08.2004 / Online-Information



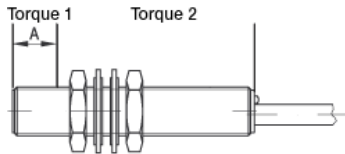
PX1483



Utilization categories DC 13

Further information:
 ■ Einbauhinweise 825356

■ Tightening torque:



Torque 1 Nm 10

If only torque1 is indicated, this applies to entire thread

If not differently indicated, all values by IEC 60947-5-2 (DIN EN60947-5-2) Specifications subject to change
 Balluff GmbH
 Postfach 1160
 73761 Neuhausen
 Telefon (07158) 173-0
 Telefax (07158) 5010

