

cyl. M18  
Sn = 5 mm  
DC 3-Wire  
shielded

**Common Data**

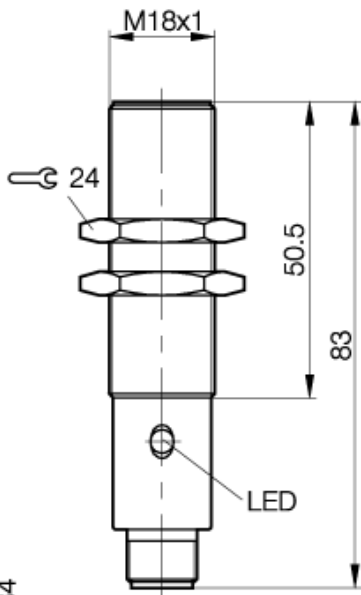
Mounting		shielded
Rated operating distance Sn	mm	5,0
Assured operating distance Sa	mm	0...4.0
Repeatability	%	<= 5
Hysteresis	%	<= 15
Function Indication		yes
Ambient temperature range	°C	-25...+70
Polution Degree		3
IEC-Code		I1A18BP2
Time delay before availability	ms	<= 10

**Mechanical Data**

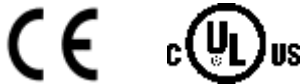
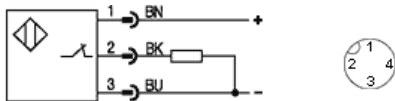
Housing size	mm	cyl. M18
Measurements BxHxT or DxT	mm	M18x1 x 83
Housing material		nickel plated brass
Material of sensing face		PA 12
Degree of protection		IP68 acc. BWN Pr 20
Connection		Connector S4

**Electrical Data**

Current type		DC
Wiring		3-Wire
switching function		normally-closed
Output signal		PNP
Rated operational voltage	V	24 DC
Rated operational current	mA	200
Supply voltage	V	10...30 DC
Ripple	%	<= 15
Rated supply frequency	Hz	900
No-load supply current	mA	<= 4/ <= 12
Off-state current	µA	<= 10
Voltage drop	V	<= 1.5/-
Short circuit protection		yes
Protected against polarity reversal		yes



PX0034



Utilization categories DC 13

Notes  
When overload is removed, sensor resumed function.

If not differently indicated,  
all values by IEC 60947-5-2 (DIN EN60947-5-2)  
Specifications subject to change

Balluff GmbH  
Postfach 1160  
73761 Neuhausen  
Telefon (07158) 173-0  
Telefax (07158) 5010

06.04.2004 / Online-Information

