

cyl. M18
Sn = 5 mm
DC 3-Wire
shielded

Common Data

Mounting		shielded
Rated operating distance Sn	mm	5,0
Assured operating distance Sa	mm	0...4.0
Repeatability	%	<= 5
Hysteresis	%	<= 15
Function Indication		yes
Ambient temperature range	°C	-25...+70
Polution Degree		3
IEC-Code		I1A18BN1
Time delay before availability	ms	<= 10

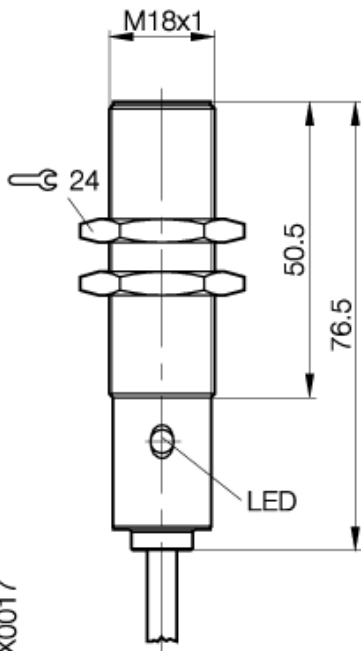
Mechanical Data

Housing size	mm	cyl. M18
Measurements BxHxT or DxT	mm	M18x1 x 76.5
Housing material		nickel plated brass
Material of sensing face		PA 12
Degree of protection		68 acc. BWN Pr 20
Connection		Cable
Cable type		LIFY-Y-11Y-O

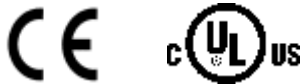
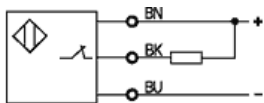
Electrical Data

Current type		DC
Wiring		3-Wire
switching function		normally-closed
Output signal		NPN
Rated operational voltage	V	24 DC
Rated operational current	mA	200
Supply voltage	V	10...30 DC
Ripple	%	<= 15
Rated supply frequency	Hz	500
No-load supply current	mA	<= 8 / <= 25
Off-state current	µA	<= 80
Voltage drop	V	<= 2.5/-
Short circuit protection		yes
Protected against polarity reversal		yes

08.06.2004 / Online-Information



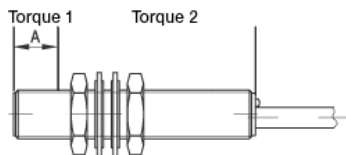
PX0017



Utilization categories DC 13



Tightening torque:



Torque 1 Nm 35

If only torque1 is indicated, this applies to entire thread

If not differently indicated, all values by IEC 60947-5-2 (DIN EN60947-5-2) Specifications subject to change

Balluff GmbH
Postfach 1160
73761 Neuhausen
Telefon (07158) 173-0
Telefax (07158) 5010

