

cyl. M18
Sn = 8 mm
DC 3-Wire
shielded

Common Data

Mounting		shielded
Rated operating distance Sn	mm	8,0
Assured operating distance Sa	mm	0...6.4
Repeatability	%	<= 5
Hysteresis	%	<= 15
Function Indication		yes
Ambient temperature range	°C	0...+70
Polution Degree		3
IEC-Code		I1A18AP2
Time delay before availability	ms	<= 30

Mechanical Data

Housing size	mm	cyl. M18
Measurements BxHxT or DxT	mm	M18x1 x 83
Housing material		nickel plated brass
Material of sensing face		PBTP
Degree of protection		IP67
Connection		Connector S4

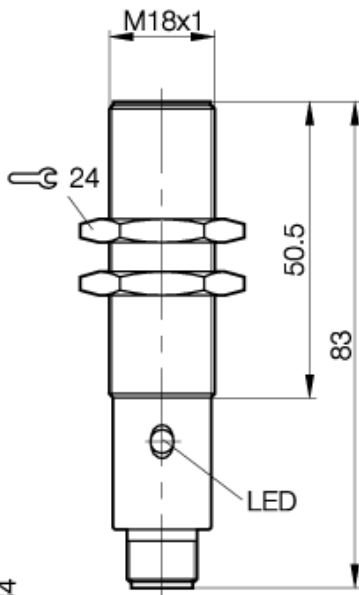
Electrical Data

Current type		DC
Wiring		3-Wire
switching function		normally-open
Output signal		PNP
Rated operational voltage	V	24 DC
Rated operational current	mA	200
Supply voltage	V	10...30 DC
Ripple	%	<= 15
Rated supply frequency	Hz	DC
Rated supply frequency	Hz	80
Minimum operational current	mA	0
No-load supply current	mA	<= 12 / <= 7
Off-state current	µA	<= 80
Voltage drop	V	<= 2.5/-
Short circuit protection		yes
Protected against polarity reversal		yes

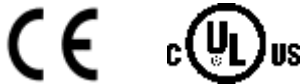
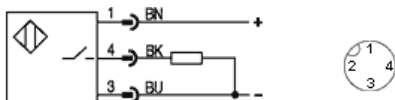
EMV

ESD/RFI/Burst/IVW	4/3/3/2
Emission	Gr.1, Kl.B

03.06.2004 / Online-Information



PX0034

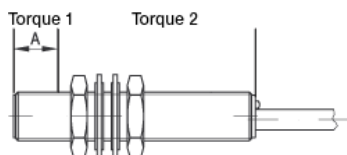


Utilization categories DC 13

Further information:



Tightening torque:



Torque 1	Nm	25
Torque 2	Nm	35
A	mm	14

If only torque1 is indicated, this applies to entire thread

If not differently indicated, all values by IEC 60947-5-2 (DIN EN60947-5-2) Specifications subject to change

