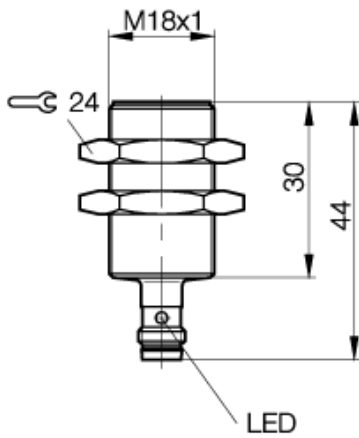


cyl. M18
Sn = 8 mm
DC 3-Wire
shielded



PX0083a



Utilization categories DC 13

Further information:



Einbauhinweise 825357

If not differently indicated,
all values by IEC 60947-5-2 (DIN EN60947-5-2)
Specifications subject to change

Balluff GmbH
Postfach 1160
73761 Neuhausen
Telefon (07158) 173-0
Telefax (07158) 5010

Common Data

| | | |
|--------------------------------|----|-----------|
| Mounting | | shielded |
| Rated operating distance Sn | mm | 8,0 |
| Assured operating distance Sa | mm | 0...6.4 |
| Repeatability | % | <= 5 |
| Hysteresis | % | <= 15 |
| Function Indication | | yes |
| Ambient temperature range | °C | -25...+70 |
| Polution Degree | | 3 |
| IEC-Code | | I1A18BP2 |
| Time delay before availability | ms | <= 10 |

Mechanical Data

| | | |
|---------------------------|----|---------------------|
| Housing size | mm | cyl. M18 |
| Measurements BxHxT or DxT | mm | M18x1 x 44 |
| Housing material | | nickel plated brass |
| Material of sensing face | | PBTP |
| Degree of protection | | IP67 |
| Connection | | Connector S49 |

Electrical Data

| | | |
|-------------------------------------|----|-----------------|
| Current type | | DC |
| Wiring | | 3-Wire |
| switching function | | normally-closed |
| Output signal | | PNP |
| Rated operational voltage | V | 24 DC |
| Rated operational current | mA | 130 |
| Supply voltage | V | 10...30 DC |
| Ripple | % | <= 15 |
| Rated supply frequency | Hz | 200 |
| No-load supply current | mA | <= 12/ <= 25 |
| Off-state current | µA | <= 80 |
| Voltage drop | V | <= 3.5/- |
| Short circuit protection | | yes |
| Protected against polarity reversal | | yes |

EMV

ESD/RFI/Burst/IVW
Emission

21.01.2004 / Online-Information

