

M 8  
SI = 0,5...1,5 mm  
0...10V  
shielded

**Common Data**

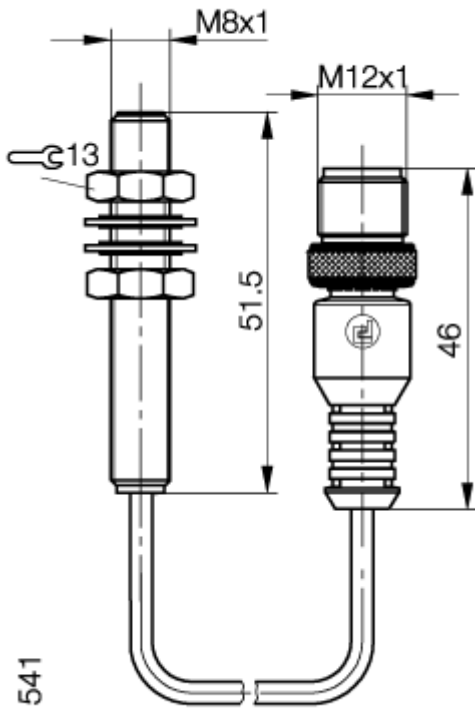
Mounting In steel		shielded
Linearity range SI	mm	0,5...1,5
Rated operating distance Se	mm	1
Repeat accuracy		± 8 µm
Linearity		≤ ±30 µm
Limit frequency (-3dB)		1000 Hz
Measuring velocity		≤20 m/s
Response time		0,5 ms
Temperature coefficient TK	typ.	-1 µm/K
In optimized range	min.	-0,5 µm/K
from +10...+50°C	max.	-2 µm/K
Max. non-linearity	%	±3% from Ua max.
Max. working range shift	mm	±0,1
Adjusting indication		nein
Ambient temperature range	°C	-10...+70
Time delay before availability	ms	<1ms

**Mechanical Data**

Housing size	mm	cyl. M 8
Measurements BxHxT or DxT	mm	M8x1 x 51,5
Housing material		stainless steel
Material of sensing face		PBT
Degree of protection	IP	IP67
Connection		Cable with Connector, PUR
Cable type		LIFY-Y-11Y-O 3x0,14mm <sup>2</sup> 0,2m long
Recommended connector		BKS-S19-1

**Electrical Data**

Current type		DC
Wiring		3-Wire
Output signal		0...10V
Rated operational voltage	V	24 DC
Rated insulation voltage UI	V	250 V AC
Ripple	%	≤ 15% from Ue
Output resistance		≥2kOhm
No-load supply current	mA	≤ 8
Short circuit protection		yes
Protected against polarity rev		yes



Approvals



If not differently indicated,  
all values by IEC 947-5-2  
(DIN EN60947-5-2)  
Specifications subject to change

Balluff GmbH  
Postfach 1160  
73761 Neuhausen  
Telefon (07158) 173-0  
Telefax (07158) 5010

18.05.2004 / Online-Information