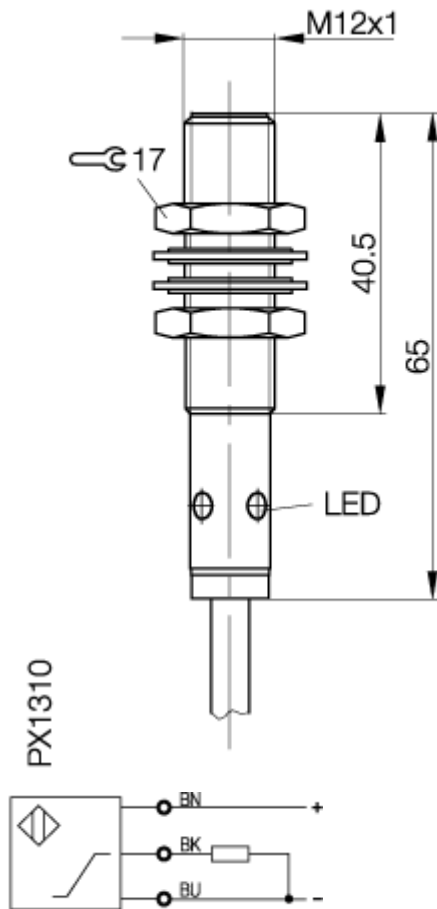


M 12
SI = 0,5...2 mm
0...20mA
shielded



Approvals



Insulation class II

If not differently indicated,
all values by IEC 947-5-2
(DIN EN60947-5-2)
Specifications subject to change

Balluff GmbH
Postfach 1160
73761 Neuhausen
Telefon (07158) 173-0
Telefax (07158) 5010

Common Data

Mounting in steel		shielded
Linearity range SI	mm	0,5...2
Rated operating distance Se	mm	1,25
Repeat accuracy		± 5 µm
Linearity		≤ ± 45 µm
Limit frequency (-3dB)		500 Hz
Measuring velocity		≤ 40 m/s
Response time		0,5 ms
Temperature coefficient TK	typ.	-1 µm/K
In optimized range	min.	0 µm/K
from +10...+50°C	max.	-3 µm/K
Max. non-linearity	%	±3% from Ia max.
Max. working range shift	mm	±0,125
Adjusting indication		ja
Ambient temperature range	°C	-10...+70
Time delay before availability	ms	<1ms

Mechanical Data

Housing size	mm	cyl. M 12
Measurements BxHxT or DxT	mm	M12x1 x 65
Housing material		CuZn nickel plated
Material of sensing face		PA12
Degree of protection	IP	IP67
Connection		Cable
Cable type		LIF-Y-11Y-O 3x0,14mm ² 3m long

Electrical Data

Current type		DC
Wiring		3-Wire
Output signal		0...20mA
Rated operational voltage	V	24 DC
Rated insulation voltage UI	V	250 V AC
Ripple	%	≤ 15% from Ue
Output resistance		>0,5kOhm
No-load supply current	mA	≤ 10
Short circuit protection		yes
Protected against polarity rev		yes

19.05.2004 / Online-Information