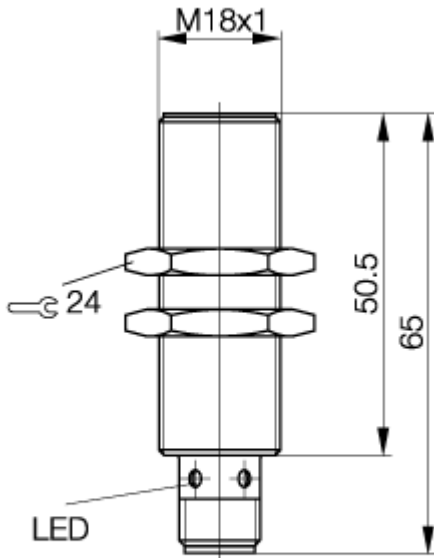


M 18
SI = 1...5 mm
0...10V
shielded



Common Data

Mounting in steel		shielded
Linearity range SI	mm	1...5
Rated operating distance Se	mm	4
Repeat accuracy		± 8 µm
Limit frequency (-3dB)		500 Hz
Measuring velocity		≤ 40 m/s
Response time		1 ms
Temperature coefficient TK	typ.	-2 µm/K
in optimized range	min.	+1 µm/K
from +10...+50°C	max.	-8 µm/K
Max. non-linearity	%	±3% from Ua max.
Adjusting indication		ja
Ambient temperature range	°C	-10...+70
Time delay before availability	ms	< 1ms

Mechanical Data

Housing size	mm	cyl. M 18
Measurements BxHxT or DxT	mm	M18x1 x 65
Housing material		CuZn nickel plated
Material of sensing face		PBT
Degree of protection	IP	IP67
Connection		Connector S4
Recommended connector		BKS-S19-1/BKS-S20-1

Electrical Data

Current type		DC
Wiring		3-Wire
Output signal		0...10V
Rated operational voltage	V	24 DC
Rated insulation voltage Ui	V	250 V AC
Ripple	%	≤ 15% from Ue
Output resistance		> 2kOhm
No-load supply current	mA	≤ 10
Short circuit protection		yes
Protected against polarity rev		yes

PX1356



Approvals



Utilization categories DC 13
Insulation class II

If not differently indicated,
all values by IEC 947-5-2
(DIN EN60947-5-2)
Specifications subject to change

Balluff GmbH
Postfach 1160
73761 Neuhausen
Telefon (07158) 173-0
Telefax (07158) 5010

07.07.2005 / Online-Information