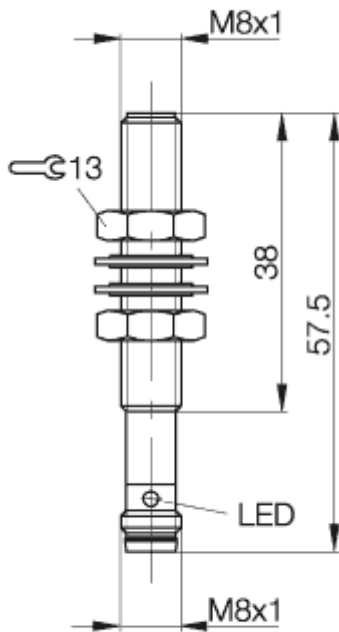


Diffuse
 M8x1
 Sn = 55 mm



PX1925



Approvals



Utilization categories DC13

If not differently indicated,
 all values by IEC 947-5-2 (DIN EN60947-5-2)

Sensing distance measured with :
 Kodak white card 200mm x 200mm, 90% reflection
 Specifications subject to change

Balluff GmbH
 Postfach 1160
 73761 Neuhausen
 Telefon (07158) 173-0
 Telefax (07158) 5010

Common Data

Sensortype	Diffuse
Switching frequency	500 Hz
Rated operating distance Sn	mm 55
asured operating distance Sa	mm 0...50
Indication switching element	yes, red LED
Ambient temperature	°C -10...+60°C
Light	Infrared, 640nm
Permissible ambient light	lux per EN 60947-5-2

Mechanical Data

Measurements BxHxT or DxT	mm M8x57,5
Housing material	nickel plated brass
Material of sensing face	PMMA
Degree of protection	IP IP67
Connection	Connector S49 (M8,3-pin)
Weight	13g
Recommended connector	BKS-S49-

Electric Data

Current	DC
Switching function	normally-closed
Output	PNP
Rated operational current Ie	mA 100mA
Supply voltage	V 10...30 DC
Ripple	% ≤ 10% from UB
No-load supply current	mA ≤20
Voltage drop	V ≤2
Short protection	yes
Protectde against polarity rev	yes

26.07.2004 / Online-Information

