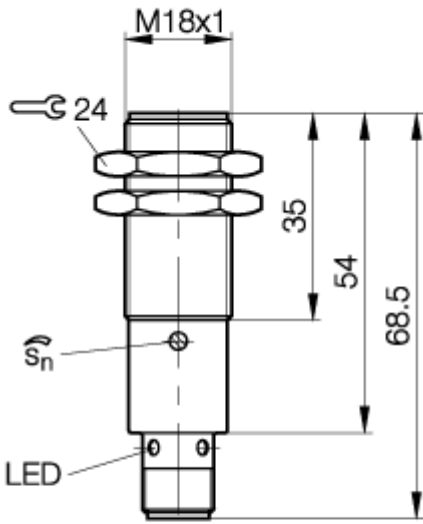


Diffuse
 M18x1
 Sn = 100 mm



Common Data

Sensortype	Diffuse
Switching frequency	100 Hz
Rated operating distance Sn	mm 100
Measured operating distance Sa	mm adjustable
Repeat accuracy	< 5% from Sn
Hysteresis	< 25%
Indication supply voltage	no
Indication switching element	yes
Indication special function	no
Ambient temperature	°C -15...+55°C
On/Off-delay	< 5ms
Light	Infrared
Sensitivity adjustment	Potl
Permissible ambient light	lux 5000

Mechanical Data

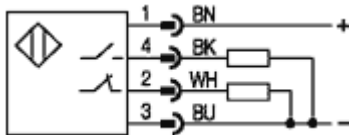
Measurements BxHxT or DxT	mm	M18x62...111
Vibration test (EN 60068-2-6)		10...55Hz, 1,5mm Amplitude 3x2h
Housing material		nickel plated brass
Material of sensing face		PMMA
Degree of protection	IP	IP67
Connection		Connector S4 (M12)

Electric Data

Current	DC
Switching function	normally-open/normally-closed
Output	PNP
Rated operational voltage Ue	V 24V DC
Rated operational current Ie	mA <200mA
Supply voltage	V 10-30V
Ripple	% < 10% from UB
Short protection	yes
Protectde against polarity rev	yes
Rated insulation voltage	75V DC

21.01.2004 / Online-Information

PX0412



Approvals



If not differently indicated,
 all values by IEC 947-5-2 (DIN EN60947-5-2)

Sensing distance measured with :
 Kodak white card 100mm x 100mm, 90% reflection
 Specifications subject to change

Balluff GmbH
 Postfach 1160
 73761 Neuhausen
 Telefon (07158) 173-0
 Telefax (07158) 5010

