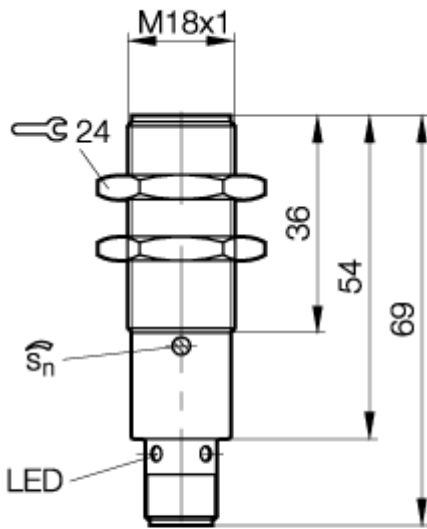


Diffuse
 M18x1
 Sn = 400 mm



Common Data

Sensortype	Diffuse
Switching frequency	100 Hz
Rated operating distance Sn	mm 400
assured operating distance Sa	mm Sn adjustable
Repeat accuracy	< 5% from Sn
Hysteresis	< 25%
Indication supply voltage	no
Indication switching element	yes, yellow LED
Indication special function	no
Ambient temperature	°C -5...+55°C
On/Off-delay	< 5ms
Light	Infrared
Sensitivity adjustment	PotI
Blind zone / min reflectore dstance	5 mm
Permissable ambient light	lux 5000

Mechanical Data

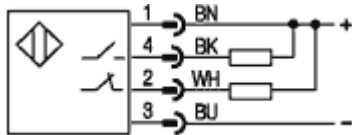
Measurements BxHxT or DxT	mm M18x69
Shock test (EN 60068-2-27)	Halfsinus, 30gn, 11ms
Vibration test (EN 60068-2-6)	10...55Hz, 1,5mm Amplitude 3x2h
Housing material	nickel plated brass
Material of sensing face	PMMA
Degree of protection	IP IP65
Connection	Connector S4 (M12)

Electric Data

Current	DC
Switching function	normally-open/normally-closed
Output	NPN
Rated operational voltage Ue	V 24V DC
Rated operational current Ie	mA <200mA
Supply voltage	V 10-30V
Ripple	% < 10% from UB
Voltage drop	V <2,5V
Short protection	yes
Protectde against polarity rev	yes
Rated insulation voltage	75V DC
Output resistance	-
max. load capacity	0,3µF

21.01.2004 / Online-Information

PX0629a



If not differently Indicated,
 all values by IEC 947-5-2 (DIN EN60947-5-2)

Sensing distance measured with :
 Kodak white card 200mm x 200mm, 90% reflection
 Specifications subject to change

Balluff GmbH
 Postfach 1160
 73761 Neuhausen
 Telefon (07158) 173-0
 Telefax (07158) 5010

