

Diffuse
M18x1
Sn = 400 mm

Common Data

Sensortype	Diffuse
Switching frequency	100 Hz
Rated operating distance Sn	mm 400
assured operating distance Sa	mm Sn adjustable
Repeat accuracy	< 5% from Sn
Hysteresis	< 25%
Indication supply voltage	no
Indication switching element	yes, yellow LED
Indication special function	no
Ambient temperature	°C -5...+55°C
On/Off-delay	< 5ms
Light	Infrared
Sensitivity adjustment	Poti
Permissible ambient light	lux 5000

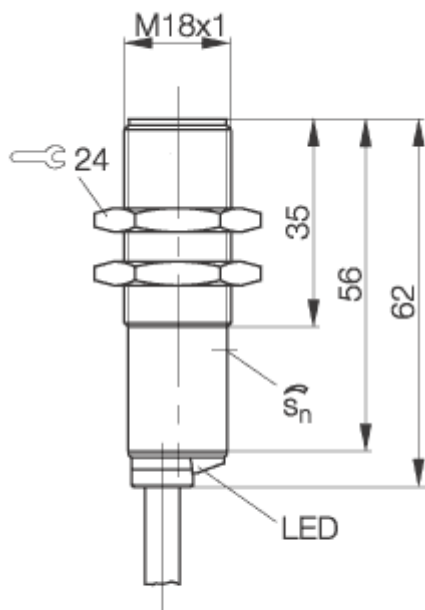
Mechanical Data

Measurements BxHxT or DxT	mm M18x1 x 62
Shock test (EN 60068-2-27)	Halfsinus, 30gn, 11ms
Vibration test (EN 60068-2-6)	55Hz, 1,5mm Amplitude 3x30M
Housing material	nickel plated brass
Material of sensing face	PMMA
Degree of protection	IP IP65
Connection	Cable, 3m
Type of cable	PVC

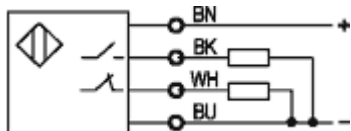
Electric Data

Current	DC
Switching function	normally-open/normally-closed
Output	PNP
Rated operational voltage Ue	V 24V DC
Rated operational current Ie	mA <200mA
Supply voltage	V 10-30V
Ripple	% < 10% from UB
Voltage drop	V <2,5V
Short protection	yes
Protectde against polarity rev	yes
Rated insulation voltage	250V DC
Output resistance	-
max. load capacity	0,3µF

06.02.2006 / Online-Information



PX2040



Approvals CE, ULZ1

If not differently indicated,
all values by IEC 947-5-2 (DIN EN60947-5-2)

Sensing distance measured with :
Kodak white card 200mm x 200mm, 90% reflection
Specifications subject to change

Balluff GmbH
Postfach 1160
73761 Neuhausen
Telefon (07158) 173-0
Telefax (07158) 5010

