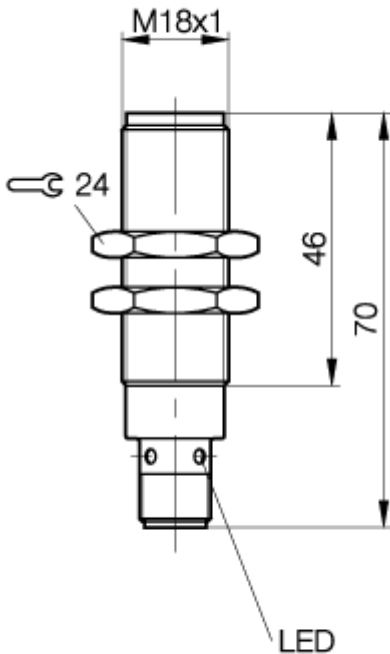


Diffuse
 M18x1
 Sn = 200 mm



Common Data

Sensortype	Diffuse
Switching frequency	10 Hz
Rated operating distance Sn	mm 200
Assured operating distance Sa	mm adjustable
Repeat accuracy	< 5% from Sn
Hysteresis	< 10%
Indication switching element	yes, yellow LED
Ambient temperature	°C -5...+55°C
Light	Infrared
Sensitivity adjustment	PotI
Blind zone / min reflectore distance	5 mm
Permissable ambient light	lux 5000

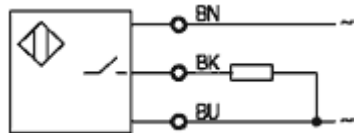
Mechanical Data

Measurements BxHxT or DxT	mm	M18x62...111
Shock test (EN 60068-2-27)		Halfsinus, 30gn, 11ms
Vibration test (EN 60068-2-6)		10...55Hz, 1,5mm Amplitude 3x2h
Housing material		nickel plated brass
Material of sensing face		PMMA
Degree of protection	IP	IP67
Connection		Cable
Weight		160g
Type of cable		PVC, 3m

Electric Data

Current		AC
Switching function		normally-open
Rated operational voltage Ue	V	110V AC
Rated operational current Ie	mA	200mA
Supply voltage	V	20...250V AC
Ripple	%	< 10% from UB
Voltage drop	V	<4V
Short protection		no
Protectde against polarity rev		no
Rated insulation voltage		250V AC

PX0063



If not differently indicated,
 all values by IEC 947-5-2 (DIN EN60947-5-2)

Sensing distance measured with :
 Kodak white card 100mm x 100mm, 90% reflection
 Specifications subject to change

Balluff GmbH
 Postfach 1160
 73761 Neuhausen
 Telefon (07158) 173-0
 Telefax (07158) 5010

21.01.2004 / Online-Information