

Diffuse  
M18x1  
Sn = 1000 mm

### Common Data

Sensortype		Diffuse
Switching frequency		100 Hz
Rated operating distance Sn	mm	1000,0
asured operating distance Sa	mm	adjustable
Repeat accuracy		≤ 5% from Sn
Hysteresis		≤ 25%
Indication supply voltage		no
Indication switching element		yes
Indication special function		no
Ambient temperature	°C	-5...+55
On/Off-delay		≤ 5ms
Sensitivity adjustment		Poti
Permissable ambient light	lux	5000

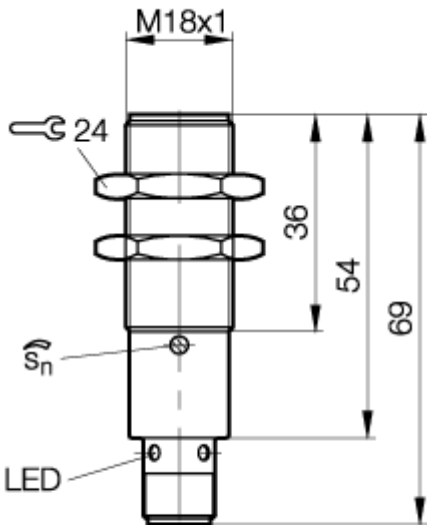
### Mechanical Data

Measurements BxHxT or DxT	mm	M18x69
Vibration test (EN 60068-2-6)		55Hz, 1mm Amplitude 3x30m
Housing material		nickel plated brass
Material of sensing face		PMMA
Degree of protection	IP	IP67
Connection		Connector S4 (M12)
Weight		40g

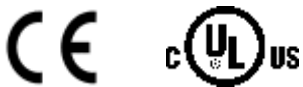
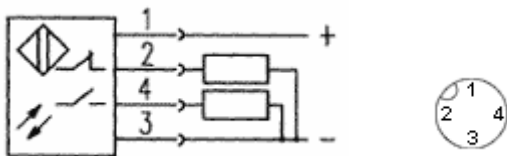
### Electric Data

Current		DC
Switching function		normally-open/normally-closed
Output		PNP
Rated operational voltage Ue	V	24 DC
Rated operational current Ie	mA	200
Supply voltage	V	10-30DC
Ripple	%	≤ 10 from UB
Short protection		yes
Protectde against polarity rev		yes
Rated insulation voltage		75V DC
max. load capacity		≤ 0,3µF

03.08.2007 / Online-Information



PX0629a



Approvals CE, c\_ul\_us  
Utilization categories DC13

If not differently indicated,  
all values by IEC 947-5-2 (DIN EN60947-5-2)

Sensing distance measured with :  
Kodak white card 100mm x 100mm, 90% reflection  
Specifications subject to change

Balluff GmbH  
Postfach 1160  
73761 Neuhausen  
Telefon (07158) 173-0  
Telefax (07158) 5010

