

Diffuse
 M30x1,5
 Sn = 2000 mm

Common Data

Sensortype	Diffuse
Switching frequency	100 Hz
Rated operating distance Sn	mm 2000
asured operating distance Sa	mm adjustable
Hysteresis	< 10%
Indication supply voltage	yes, green LED
Indication switching element	yes, yellow LED
Indication special function	Contamination Indicator, red LED
Ambient temperature	°C -20...+60°C
On/Off-delay	< 5ms
Light	Infrared
Sensitivity adjustment	18 turn Poti
Blind zone / min reflectore distance	1 mm
Permissable ambient light	lux 1000

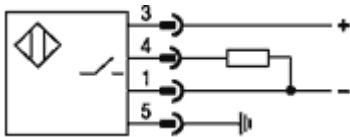
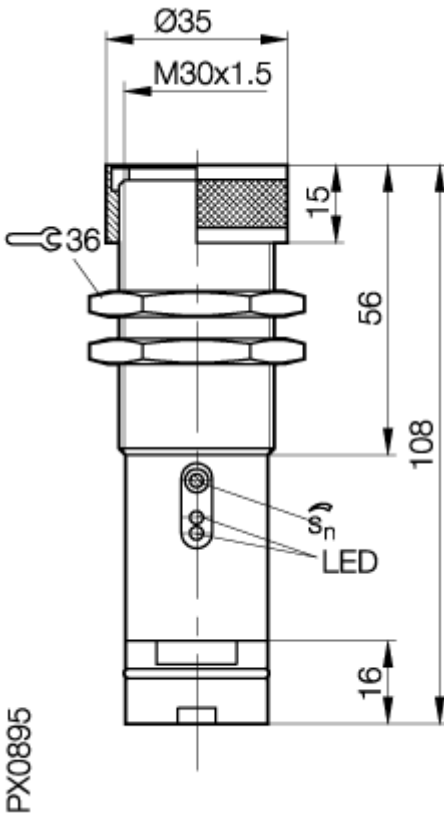
Mechanical Data

Measurements BxHxT or DxT	mm M30x108
Shock test (EN 60068-2-27)	Halfsinus, 30gn, 11ms
Vibration test (EN 60068-2-6)	10...55Hz, 1,5mm Amplitude 3x2h
Housing material	nickel plated brass
Material of sensing face	Glass
Degree of protection	IP IP65
Connection	Connector S1
Weight	230g

Electric Data

Current	DC
Switching function	normally-open/normally-closed
Output	PNP
Rated operational voltage Ue	V 24V
Rated operational current Ie	mA <200mA
Supply voltage	V 10-30V
Ripple	% max. 10% from UB
Voltage drop	V <2,4V
Short protection	yes
Protectde against polarity rev	yes
Rated Insulation voltage	75VDC
max. load capacity	1µF

21.01.2004 / Online-Information



If not differently indicated,
 all values by IEC 947-5-2 (DIN EN60947-5-2)

Sensing distance measured with :
 Kodak white card 200mm x 200mm, 90% reflection
 Specifications subject to change

Balluff GmbH
 Postfach 1160
 73761 Neuhausen
 Telefon (07158) 173-0
 Telefax (07158) 5010

