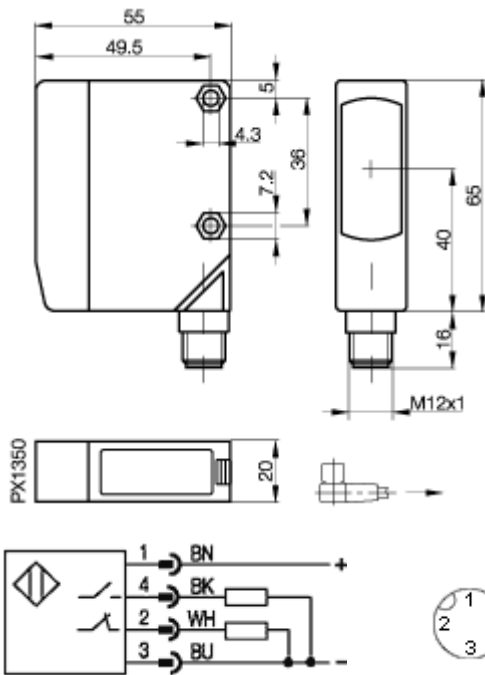


Diffuse
 65x55x20
 Sn = 2000 mm



If not differently indicated,
 all values by IEC 947-5-2 (DIN EN60947-5-2)

Sensing distance measured with :
 Kodak white card 200mm x 200mm, 90% reflection
 Specifications subject to change

Balluff GmbH
 Postfach 1160
 73761 Neuhausen
 Telefon (07158) 173-0
 Telefax (07158) 5010

Common Data

Sensortype		Diffuse
Switching frequency		500 Hz
Rated operating distance Sn	mm	2000
asured operating distance Sa	mm	adjustable
Indication supply voltage		yes, green LED
Indication switching element		yes, yellow LED
Indication special function		contamination Indicator, green LED
Ambient temperature	°C	-20...+60°C
On/Off-delay		1ms
Light		Infrared
Sensitivity adjustment		PotI
Blind zone / min reflectore distance		10mm
Permissable ambient light	lux	5000

Mechanical Data

Measurements BxHxT or DxT	mm	65x55x20
Housing material		ABS Impact resistant
Material of sensing face		PMMA
Degree of protection	IP	IP66
Connection		Connector S4 (M12)
Weight		130g
Recommended connector		BKS-S20-3

Electric Data

Current		DC
Switching function		normally-open/normally-closed
Output		PNP
Rated operational voltage Ue	V	24V
Rated operational current Ie	mA	200mA
Supply voltage	V	10-30V
Ripple	%	< 10% from UB
No-load supply current	mA	<40mA
Voltage drop	V	<2V
Short protection		yes
Protectde agalnst polarity rev		yes
Rated insulation voltage		250V AC
max. load capacity		0,33µF

21.01.2004 / Online-Information