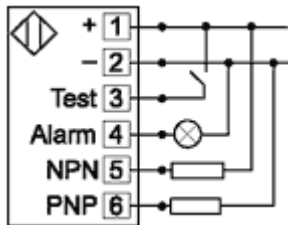
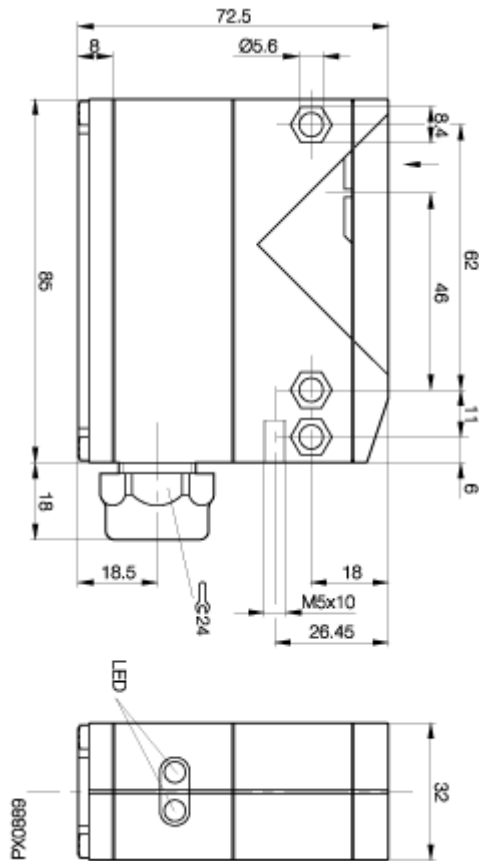


Diffuse
85x72,5x32
Sn = 2000 mm



If not differently indicated,
all values by IEC 947-5-2 (DIN EN60947-5-2)

Sensing distance measured with :
Kodak white card 200mm x 200mm, 90% reflection
Specifications subject to change

Balluff GmbH
Postfach 1160
73761 Neuhausen
Telefon (07158) 173-0
Telefax (07158) 5010

Common Data

Sensortype	Diffuse
Switching frequency	500 Hz
Rated operating distance Sn	mm 2000
Measured operating distance Sa	mm adjustable
Repeat accuracy	< 5% from Sn
Hysteresis	< 10%
Indication switching element	yes, red LED
Indication special function	green LED for Stab.ind.
Ambient temperature	°C -20...+55°C
On/Off-delay	< 1ms
Light	Infrared
Sensitivity adjustment	Potl
Blind zone / min reflectore distance	50/-
Permissable ambient light	lux 3000

Mechanical Data

Measurements BxHxT or DxT	mm 85x72,5x32
Shock test (EN 60068-2-27)	Halfsinus, 30gn, 11ms
Vibration test (EN 60068-2-6)	10...55Hz, 1,5mm Amplitude 3x2h
Housing material	Polycarbonat
Material of sensing face	PMMA
Degree of protection	IP IP67
Connection	screw terminals
Weight	160g

Electric Data

Current	DC
Switching function	normally-open/normally-closed
Output	PNP/NPN
Rated operational current Ie	mA <200mA
Supply voltage	V 10...30V DC
Ripple	% -
Voltage drop	V <2V
Short protection	yes
Protectde against polarity rev	-
Rated insulation voltage	75V DC
max. load capacity	0,33µF

21.01.2004 / Online-Information