

Diffuse
 85x72,5x32
 Sn = 2000 mm

Common Data

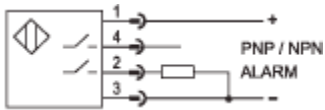
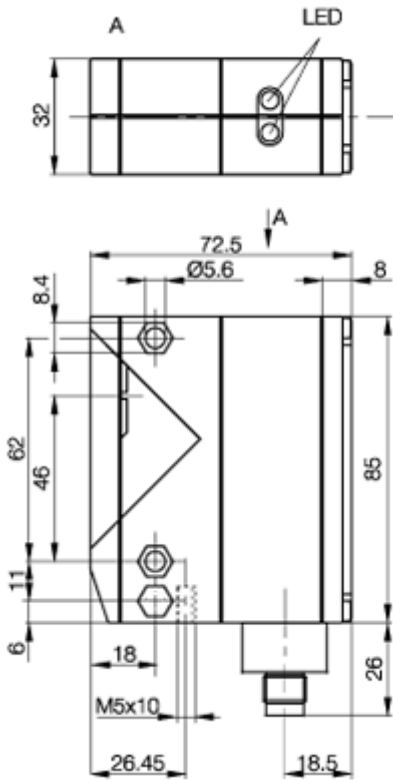
| | |
|-------------------------------------|-------------------------|
| Sensortype | Diffuse |
| Switching frequency | 500 Hz |
| Rated operating distance Sn | mm 2000 |
| assured operating distance Sa | mm adjustable |
| Repeat accuracy | < 5% from Sn |
| Hysteresis | < 10% |
| Indication switching element | yes, red LED |
| Indication special function | green LED for Stab.ind. |
| Ambient temperature | °C -20...+55°C |
| On/Off-delay | < 1ms |
| Light | Infrared |
| Sensitivity adjustment | Potl |
| Blind zone / min reflectore dstance | 50/- |
| Permissable ambient light | lux 3000 |

Mechanical Data

| | |
|-------------------------------|---------------------------------|
| Measurements BxHxT or DxT | mm 85x72,5x32 |
| Shock test (EN 60068-2-27) | Halfsinus, 30gn, 11ms |
| Vibration test (EN 60068-2-6) | 10...55Hz, 1,5mm Amplitude 3x2h |
| Housing material | Polycarbonat |
| Material of sensing face | PMMA |
| Degree of protection | IP IP67 |
| Connection | Connector S4 (M12) |
| Weight | 160g |

Electric Data

| | |
|--------------------------------|-------------------------------|
| Current | DC |
| Switching function | normally-open/normally-closed |
| Output | PNP/NPN |
| Rated operational current Ie | mA <200mA |
| Supply voltage | V 10...30V DC |
| Ripple | % - |
| Voltage drop | V <2V |
| Short protection | yes |
| Protectde against polarity rev | - |
| Rated insulation voltage | 75V DC |
| max. load capacity | 0,33µF |



If not differently indicated,
 all values by IEC 947-5-2 (DIN EN60947-5-2)

Sensing distance measured with :
 Kodak white card 200mm x 200mm, 90% reflection
 Specifications subject to change

Balluff GmbH
 Postfach 1160
 73761 Neuhausen
 Telefon (07158) 173-0
 Telefax (07158) 5010

21.01.2004 / Online-Information

