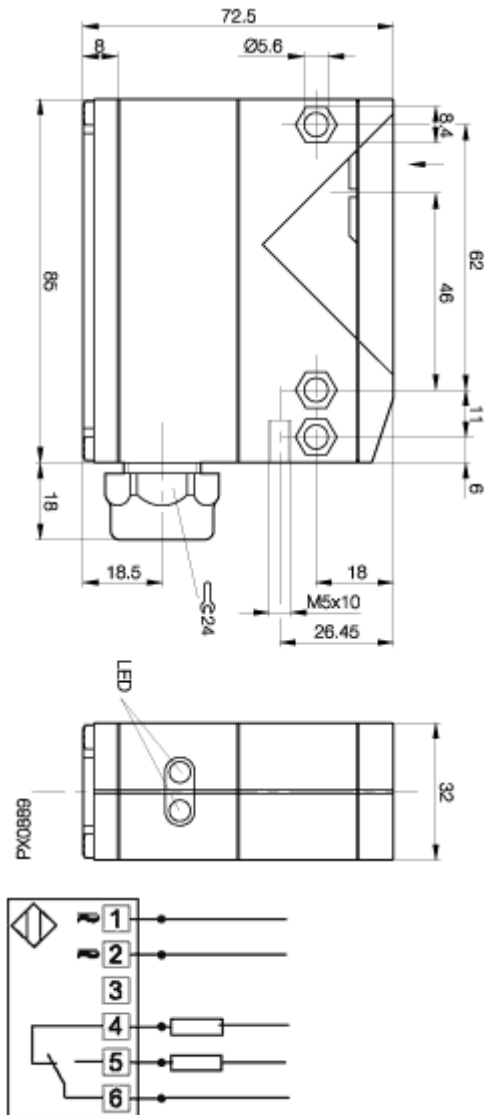


Diffuse  
85x72,5x32  
Sn = 2000 mm



### Common Data

Sensortype	Diffuse
Switching frequency	2 kHz
Rated operating distance Sn	mm 2000
Assured operating distance Sa	mm adjustable
Repeat accuracy	< 5% from Sn
Indication switching element	yes, red LED
Indication special function	green LED for Stab.Ind.
Ambient temperature	°C -20...+55°C
On/Off-delay	< 20ms
Light	Infrared
Sensitivity adjustment	Potl
Blind zone / min reflectore distance	50/0
Permissible ambient light	lux 3000

### Mechanical Data

Measurements BxHxT or DxT	mm 85x72,5x32
Shock test (EN 60068-2-27)	Halfsinus, 30gn, 11ms
Vibration test (EN 60068-2-6)	10...55Hz, 1,5mm Amplitude 3x2h
Housing material	Polycarbonat
Material of sensing face	PMMA
Degree of protection	IP IP67
Connection	screw terminals
Weight	160g

### Electric Data

Current	AC/DC
Switching function	normally-open/normally-closed
Output	Relais
Rated operational current Ie	mA -
Supply voltage	V 17...264V AC/DC
Ripple	% max. 6% from UB
Voltage drop	V 0
Short protection	no
Protectde against polarity rev	-
Rated insulation voltage	250V DC

If not differently indicated,  
all values by IEC 947-5-2 (DIN EN60947-5-2)

Sensing distance measured with :  
Kodak white card 200mm x 200mm, 90% reflection  
Specifications subject to change

Balluff GmbH  
Postfach 1160  
73761 Neuhausen  
Telefon (07158) 173-0  
Telefax (07158) 5010

21.01.2004 / Online-Information