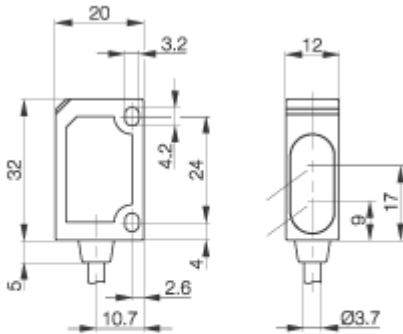
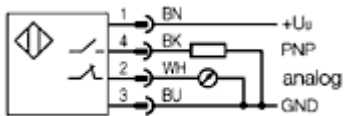


distance sensor
BOD 6K-RA01-C-02



PX1321b



Type

Working range	proximity switch, voltage analog output
Analog output	20...80mm
Ambient temperature	0...10 V
Switching output	-20...+60
Light source, colour	PNP-logic, NO-NC selectable
Rated operation voltage	red light, 660nm
Supply voltage	24 V DC
No-load supply current	15...30 V DC
light spot diameter	≤ 30mA
Rated insulation voltage	5 × 5 mm bei 60 mm
Short circuit protection	250 V AC
Inverse-polarity protection	yes
power- / function indicator	yes
Rated operational current	green / yellow LED
Frequency of operating cycles	100 mA
Turn on-/off time	1000Hz
switching frequency	0,5 ms
voltage drop	200 Hz
Permissible ambient light	≤ 2,4 V
connection	5000Lux
Weight	M8x1
material	120 g (with 2 m cable)
Connection	ABS/PMMA
Degree of protection	2 m cable, PVC, 4 × 0.14 mm ²
	IP67

Particular Characteristics

Teach In

Balluff GmbH
Postfach 1160
73761 Neuhausen
Telefon (07158) 173-0
Telefax (07158) 5010
27.07.2004 / Online-Productinformation