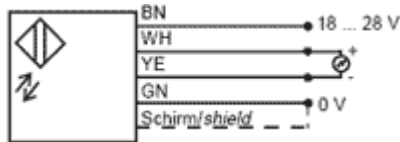
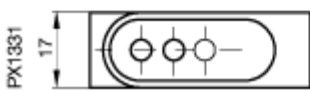
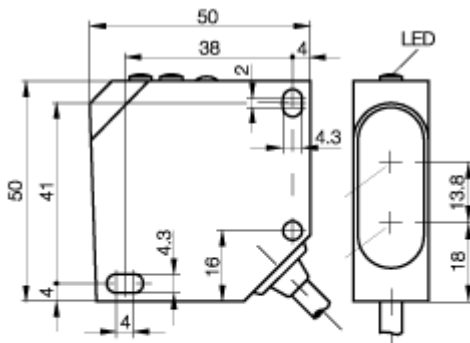


distance sensor
BOD 26K-LA02-C-06



Description

The Balluff distance sensor BOD 26K not only detects the presence of objects, but can also indicate their precise position or location.

Specifications

Type	Laser distance sensor, analog output
Working range	45...85 mm
Analog output	0...10 V (max. 3 mA)
Ambient temperature	0...+45
Temperature drift	18 µm/°C
Light source, colour	Laser, red, 670 nm
Resolution	20 µm
Linearity	≤1 %
No-load supply current	≤35mA
Light spot diameter	≤0.8 mm at 65 mm
Supply voltage	18...28 V DC
Short circuit protection	yes
Inverse-polarity protection	yes
Supply voltage indication	LED green
Stability indication	LED red
Limit frequency	40Hz
Dimensions	50×50×17
Connection	6 m Cable, PVC, 4×0,25 mm ²
Permissible ambient light	EN 60947-5-2
Degree of protection	IP67
Weight	600g
material	impact resistant ABS
Optical surface	PMMA
Recommended connector	only with BKS-S 19-14-PU-05

Balluff GmbH
 Postfach 1160
 73761 Neuhausen
 Telefon (07158) 173-0
 Telefax (07158) 5010
 05.10.2004 / Online-Productinformation