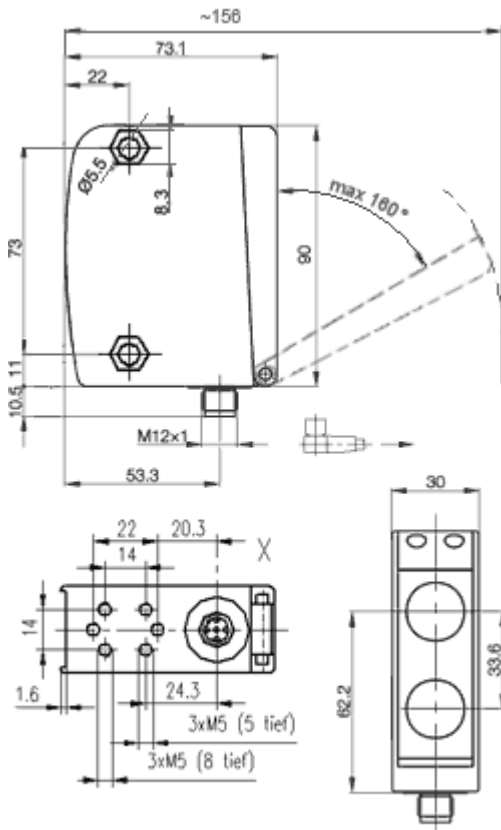


**distance sensor**  
**BOD 66M-RA01-S92-C**



V1212

**Description**

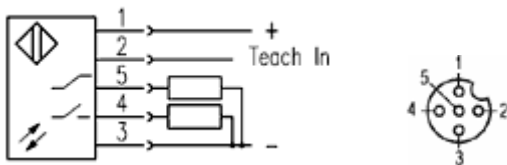
The BOD 66M-R\_01 has an analog voltage or current output plus a switching output. This means it can be used simultaneously for measuring or monitoring distance and for object detection in the diffuse sensor configuration with background suppression (HGA).

**Specifications**

Type	Distance sensor, voltage output
Working range	100...600mm
Analog output	1...10 V
Ambient temperature	-20...+50
Switching output	PNP-logic, NO
Light source, colour	red light, 660nm
Rated operation voltage	24 V DC
Supply voltage	18...30 V DC
No-load supply current	≤150mA
light spot diameter	ca. 10mm
Rated insulation voltage	250 V DC
Short circuit protection	yes
Inverse-polarity protection	yes
power- / function indicator	green / yellow LED
Rated operational current	≤250mA
Frequency of operating cycles	20...100Hz
Turn on-/off time	≤100ms
Resolution	≤0,5mm
voltage drop	≤2 V DC
Repeatability	±0,5%
Weight	420g
material	GD-ZnAl / Glass
Connection	Connector e.g. BKS-S134-17-...
Degree of protection	IP67

**Particular Characteristics**

Teach In



Balluff GmbH  
 Postfach 1160  
 73761 Neuhausen  
 Telefon (07158) 173-0  
 Telefax (07158) 5010  
 18.10.2006 / Online-Productinformation



