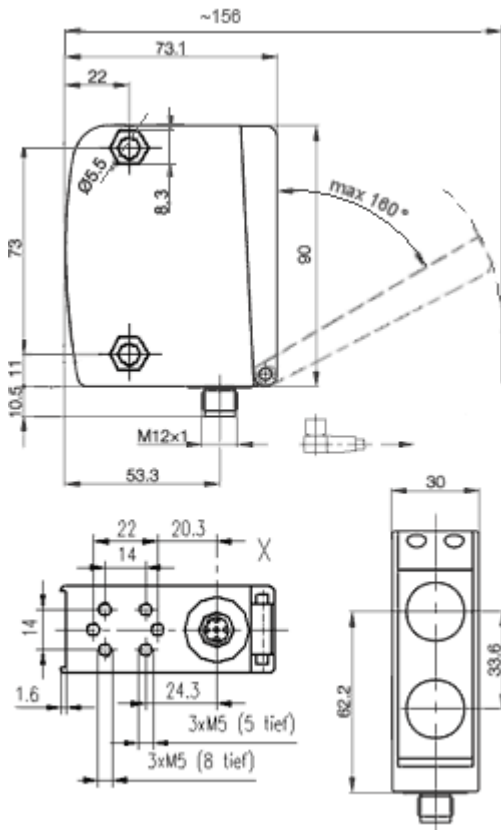


distance sensor
BOD 66M-RB01-S92-C



V1212

Description

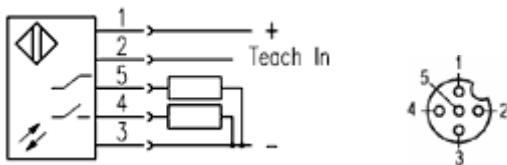
The BOD 66M-R_01 has an analog voltage or current output plus a switching output. This means it can be used simultaneously for measuring or monitoring distance and for object detection in the diffuse sensor configuration with background suppression (HGA).

Specifications

Type	Distance sensor, current output
Working range	100...600mm
Analog output	4...20mA
Ambient temperature	-20...+50
Switching output	PNP-logic, NO
Light source, colour	red light, 660nm
Rated operation voltage	24 V DC
Supply voltage	18...30 V DC
No-load supply current	≤150mA
light spot diameter	ca. 10mm
Rated insulation voltage	250 V DC
Short circuit protection	yes
Inverse-polarity protection	yes
power- / function indicator	green / yellow LED
Rated operational current	≤250mA
Frequency of operating cycles	20...100Hz
Turn on-/off time	≤100ms
Resolution	≤0,5mm
voltage drop	≤2 V DC
Repeatability	±0,5%
Weight	420g
material	GD-ZnAl / Glass
Connection	Connector e.g. BKS-S134-17-...
Degree of protection	IP67

Particular Characteristics

Teach In



Balluff GmbH
 Postfach 1160
 73761 Neuhausen
 Telefon (07158) 173-0
 Telefax (07158) 5010
 18.10.2006 / Online-Productinformation



