

distance sensor
BOD 26K-LB05-S115-C



Description

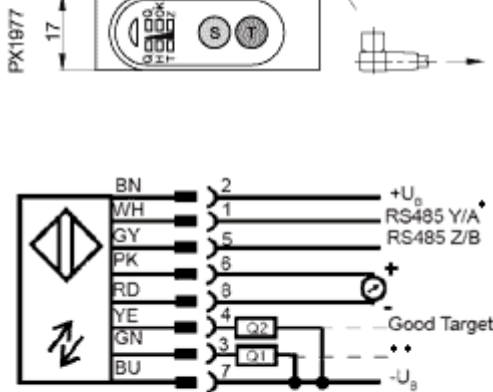
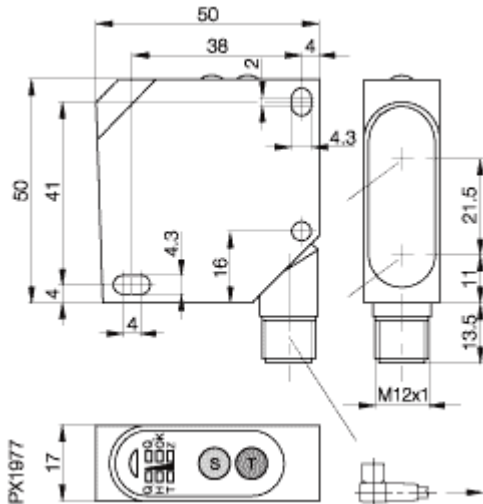
The Balluff distance sensor BOD 26K not only detects the presence of objects, but can also indicate their precise position or location.

Specifications

Type	Laser distance sensor, analog output current
Working range	80...300 mm
Analog output	4...20 mA
Ambient temperature	-10...+60 °C
Switching output/ type	2 x PNP-Transistor / light-on or dark-on
Light source, colour	Laser, red, 650 nm
Resolution	≤0.1 % of full scale
Linearity	≤0.25 % of full scale
output signal	PNP
Light spot diameter	2 mm x 4,5 mm
Supply voltage	18...30 V DC
Short circuit protection	yes
Inverse-polarity protection	yes
Supply voltage indication	LED green
Output function indication	LED yellow
Frequency of operating cycles f	1 kHz
Dimensions	50 x 50 x 17
Connection	M12 connector, 8-pin
Permissible ambient light	EN 60947-5-2
Degree of protection	IP67
No-load supply current	≤40 mA
Weight	43g
material	impact resistant ABS
Optical surface	PMMA
Recommended connector	BKS-S 139

Particular Characteristics

Teach-in



* Nur Variante -LBR
 Only variant -LBR

** Ext. Trigger/ Eingang Konfiguration
 Input configuration

Balluff GmbH
 Postfach 1160
 73761 Neuhausen
 Telefon (07158) 173-0
 Telefax (07158) 5010
 14.12.2004 / Online-Productinformation

BALLUFF