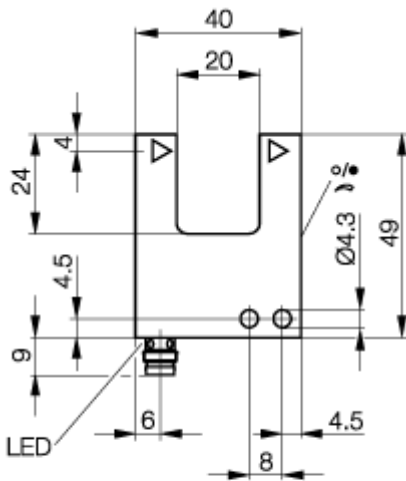


Fork-thru-beam  
40x49x10  
slot wide=20mm



PX1494



Approvals



Utilization categories DC13

If not differently indicated,  
all values by IEC 947-5-2 (DIN EN60947-5-2)

Specifications subject to change

Balluff GmbH  
Postfach 1160  
73761 Neuhausen  
Telefon (07158) 173-0  
Telefax (07158) 5010

### Common Data

Sensortype	Fork-thru-beam
Switching frequency	1500 Hz
slot width	mm 20
Repeat accuracy	0,02mm
Hysteresis	≤0,1mm
Resolution	mm 0,3
Indication switching element	yes, red LED
Ambient temperature	°C -10...+60
Light	Red light 640nm
Sensitivity adjustment	Potl: 0...270°
Permissible ambient light	lux 10000

### Mechanical Data

Measurements BxHxT or DxT	mm 40x49x10
Housing material	anodized aluminium
Material of sensing face	Glass
Degree of protection	IP 65
Connection	Connector S49 (M8 3-pin)
Weight	28g
Recommended connector	BKS-S 48/BKS-S 49

### Electric Data

Current	DC
Switching function	NO/NC switchable
Output	PNP
Rated operational voltage Ue	V 24 DC
Rated operational current Ie	mA 200
Supply voltage	V 10-30 DC
No-load supply current	mA ≤35
Voltage drop	V <3
Short protection	yes
Protectde against polarity rev	yes

03.06.2004 / Online-Information