

Accessories
BOS R-1
standard reflector, round



Common Data

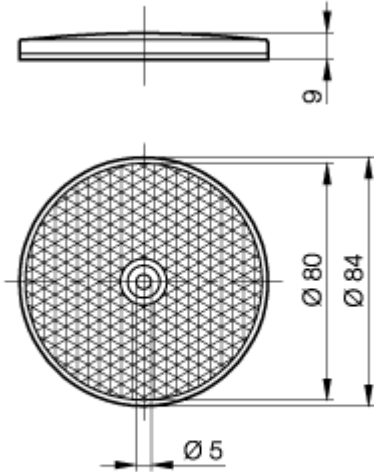
Usable with for retroreflective

Range 100%

Mechanical Data

Measurements BxHxT or DxT mm Ø84

Mounting M5 screw



PX0788

If not differently indicated,
all values by IEC 947-5-2 (DIN EN60947-5-2)
Specifications subject to change

Balluff GmbH
Postfach 1160
73761 Neuhausen
Telefon (07158) 173-0
Telefax (07158) 5010

06.02.2004 / Online-
Productinformation

BALLUFF