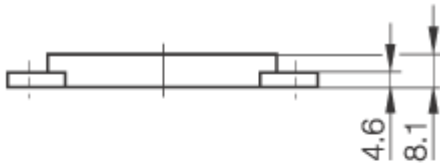


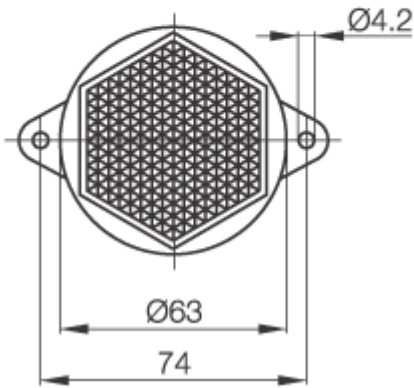
Accessories
BOS R-10
 reflector, round



Common Data

Usable with for retroreflective

Range 60%



Mechanical Data

Measurements BxHxT or DxT mm Ø63

Mounting two M4 screws

PX1093C

If not differently indicated,
 all values by IEC 947-5-2 (DIN EN60947-5-2)
 Specifications subject to change

Balluff GmbH
 Postfach 1160
 73761 Neuhausen
 Telefon (07158) 173-0
 Telefax (07158) 5010

06.02.2004 / Online-
 Productinformation

BALLUFF

