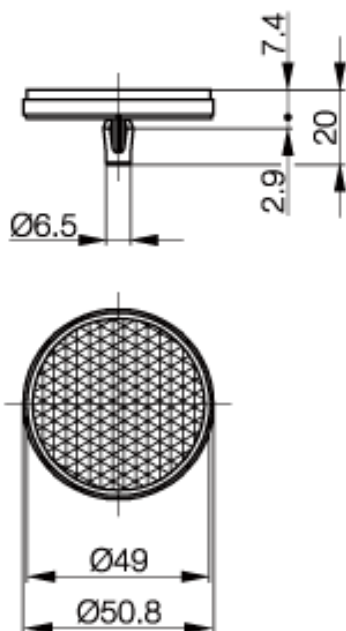


Accessories
BOS R-14
reflector, round



Common Data

Usable with	for retroreflective
Ambient temperature	max. 110°C
Range	60%
Particular characteristics	chemical resistant

Mechanical Data

Measurements BxHxT or DxT	mm	Ø50.8
Mounting	rivet with expanding wing Ø6.5mm	

PX1452

If not differently indicated,
all values by IEC 947-5-2 (DIN EN60947-5-2)
Specifications subject to change

Balluff GmbH
Postfach 1160
73761 Neuhausen
Telefon (07158) 173-0
Telefax (07158) 5010

06.02.2004 / Online-
Productinformation

BALLUFF

