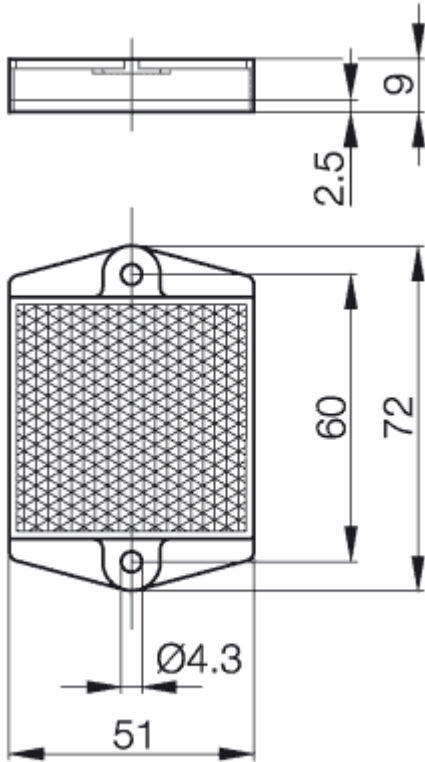
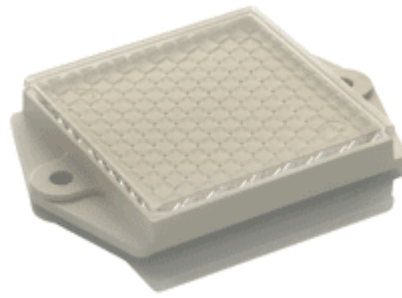


Accessories
BOS R-25
 reflector, quader



PX2058a

Common Data

Usable with	with sensors BOS 5K
	0...+50
Range	2,5 m (only for BOS 5K)

Mechanical Data

Measurements BxHxT or DxT	mm	72x51x9
Housing material		PMMA
Mounting		two M4 screws

If not differently indicated,
 all values by IEC 947-5-2 (DIN EN60947-5-2)
 Specifications subject to change

Balluff GmbH
 Postfach 1160
 73761 Neuhausen
 Telefon (07158) 173-0
 Telefax (07158) 5010

09.02.2005 / Online-
 Productinformation

BALLUFF

