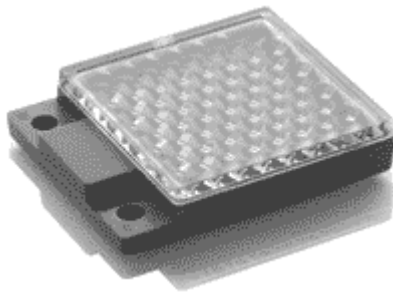


Accessories
 BOS R-26
 reflector, quader

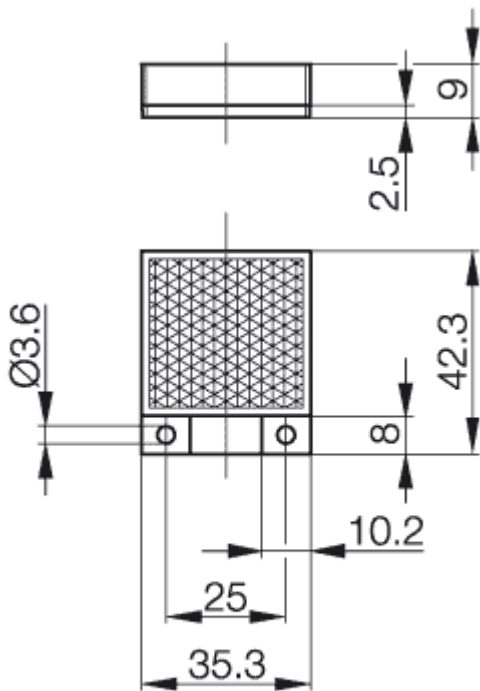


Common Data

Usable with with retroreflective
 0...+50
 Range 1,5 m

Mechanical Data

Measurements BxHxT or DxT mm 35,3x42,3x9
 Housing material PMMA
 Mounting two M3 screws



PX2059a

If not differently indicated,
 all values by IEC 947-5-2 (DIN EN60947-5-2)
 Specifications subject to change

Balluff GmbH
 Postfach 1160
 73761 Neuhausen
 Telefon (07158) 173-0
 Telefax (07158) 5010

09.02.2005 / Online-
 Productinformation

BALLUFF

