

Accessories
 BOS 26-HW-1
 Mounting Bracket



Common Data

Application

for Optosensors series
 BOS 26K

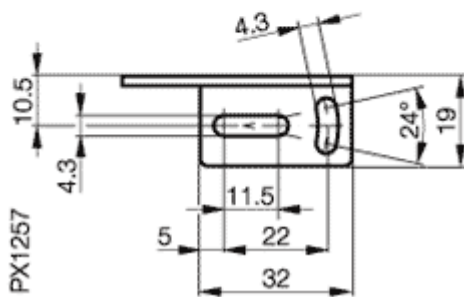
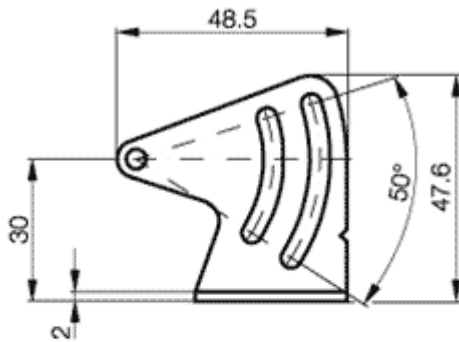
Mechanical Data

Measurements BxHxT or DxT

mm 48.5x47.6x19

Mounting

screws



If not differently indicated,
 all values by IEC 947-5-2 (DIN EN60947-5-2)
 Specifications subject to change

Balluff GmbH
 Postfach 1160
 73761 Neuhausen
 Telefon (07158) 173-0
 Telefax (07158) 5010

08.06.2004 / Online-
 Productinformation

BALLUFF

