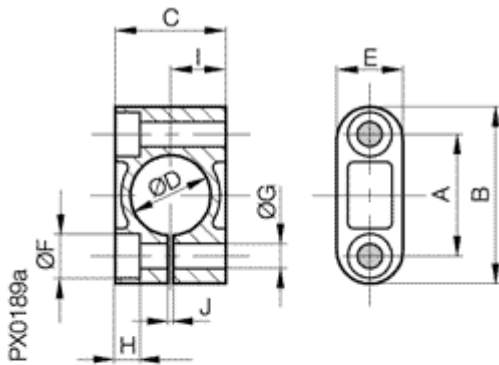


Accessories
BES 12,0-BS-1
clamping cuff



Common Data



Usable with

for round Sensors
D=11,9mm

	A	B	C	D	E
BES 06,5-BS-1	17	27	16	6,4	12
BES 08,0-BS-1	17	27	16	7,9	12
BES 12,0-BS-1	22	32	20	11,9	12
BES 14,5-BS-1	22	32	20	14,5	12
BES 16,0-BS-1	26	36	26	16	12
	F	G	H	I	J
BES 06,5-BS-1	8	4,5	4,5	8	1
BES 08,0-BS-1	8	4,5	4,5	8	1
BES 12,0-BS-1	8	4,5	4,5	10	1
BES 14,5-BS-1	8	4,5	4,5	10	1
BES 16,0-BS-1	8	4,5	4,5	13	1

Mechanical Data

Measurements BxHxT or DxT mm 32x20x12

Housing material PA6

Mounting with 2 screws M4

If not differently indicated,
all values by IEC 947-5-2 (DIN EN60947-5-2)
Specifications subject to change

Balluff GmbH
Postfach 1160
73761 Neuhausen
Telefon (07158) 173-0
Telefax (07158) 5010

09.03.2005 / Online-
Productinformation

BALLUFF