

Overview

Cubic molded plastic enclosure, IP67, connection using cable or M8 connector

Diffuse sensor with background suppression

- Sensing range 2.5 ... 10 cm (adjustable using teach-in)

Retro-reflective sensors for transparent objects (adjustable with teach-in)

- Sensing range 50 cm

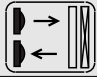
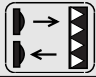
Rated operating voltage 24 V DC

Anti-interference function


Electronics output pnp or npn

Supplied without mounting material and without reflector

Technical specifications

Operating mode		Diffuse sensor with background suppression	Retroreflective sensor for transparent objects
			
Sensing range	cm	2.5 ... 10 (adjustable)	5 ... 50 (adjustable)
Standard target	mm	100 x 100 (gray 18 %)	Reflector type R 60
Operating voltage range (DC)	V	10 ... 30	
No-load current I_0 (typ.)	mA	25	
Rated operating current I_e	mA	100	
Switching frequency	Hz	1000	
Switching time	ms	0.5	
Wavelength (illuminant)	nm	660 (red)	
Indicators			
• Switching status		Yellow LED	
• Surplus light		Green LED	
Enclosure material		Molded plastic (ABS)	
Degree of protection		IP67	
Ambient temperature	°C	-20 ... +60	
Temperature coefficient	%/K	0.3	
Type		3RG74 04-...00	3RG74 01-...52

Selection and Ordering data

	Operating mode	Sensing range cm	Illuminant nm	Wiring	Switching output	Ckt. diag. No.	Order No.
	Diffuse sensor with background suppression	2,5 ... 10 (adjustable via "teach-in")	660 (red)	2 m cable, PUR, 4 0.14 mm ²	Light-ON or dark-ON	pnp 14	3RG74 04-0CH00
						npn 14	3RG74 04-0HH00
	Retroreflective sensor for transparent objects	5 ... 50 (adjustable via "teach-in")	660 (red)	M8 plug, 4-pole, type B	Light-ON or dark-ON	pnp 14	3RG74 04-7CH00
						npn 14	3RG74 04-7HH00
	Diffuse sensor with background suppression	2,5 ... 10 (adjustable via "teach-in")	660 (red)	2 m cable, PUR, 4 0.14 mm ²	Light-ON or dark-ON	pnp 14	3RG74 01-0CH52
					npn 14	3RG74 01-0HH52	
	Retroreflective sensor for transparent objects	5 ... 50 (adjustable via "teach-in")	660 (red)	M8 plug, 4-pole, type B	Light-ON or dark-ON	pnp 14	3RG74 01-7CH52
					npn 14	3RG74 01-7HH52	

Accessories

Mounting bracket for form K20

3RX7 308-0AA00

Dimensions

