

Overview

Cylindrical metal enclosure, IP65,
connection using cable or M12 connector

Visible laser light (red), laser protection class 2 according to
EN 60947-5-2

Thru-beam sensor

- Sensing range 50 m (adjustable using potentiometer)

Rated operating voltage 24 V DC

Electronics output pnp

Supplied with focusing and adjustment aid,
without fixing materials

Technical specifications

Operating mode



Laser thru-beam sensor







Sensing range	m	50 (adjustable)
Operating voltage range (DC)	V	10 ... 30
No-load current I_0 , max.	mA	15 (receiver), 10 (emitter)
Rated operational current I_e	mA	200
Switching frequency	Hz	6000
Switching time	ms	< 0.083
Wavelength (illuminant)	nm	660 (red laser light)
Indicators		
• Switching status		Yellow LED
• Surplus light		Red LED
• Operating voltage		Green LED
Enclosure material		Brass, nickel-plated
Degree of protection		IP65
Ambient temperature	°C	-10 ... +60
Temperature coefficient	%/K	0.1
Type		3RG71 35-...00, 3RG71 75-...00

Opto Proximity Switches

SIMATIC PXO200

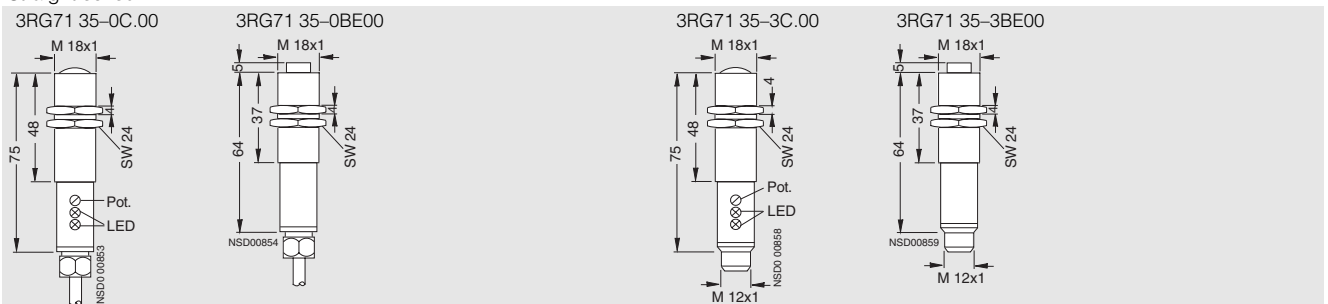
L18 form

Selection and Ordering data

	Operating mode	Sensing range m	Illuminant nm	Wiring	Switching output	Ckt. diag. No.	Order No.
Straight sensor							
	Laser thru-beam sensor	50 (adjustable via potentiometer)	660 (red)	3 m cable, PUR, 4 0.25 mm ²	pnp, light-ON and dark-ON (antivalent)	5	3RG71 35-0CC00
					Emitter	9	3RG71 35-0BE00
					M12 plug, 4-pole, type F	pnp, light-ON and dark-ON (antivalent)	5
					Emitter	9	3RG71 35-3BE00
Straight sensor							
	Laser thru-beam sensor	50 (adjustable via potentiometer)	660 (red)	3 m cable, PUR, 4 0.25 mm ²	pnp, light-ON and surplus light function	6	3RG71 35-0CD00
					M12 plug, 4-pole, type F	pnp, light-ON and surplus light function	6
Angled sensor							
	Laser thru-beam sensor	50 (adjustable via potentiometer)	660 (red, polarized)	3 m cable, PUR, 4 0.25 mm ²	pnp, light-ON and dark-ON (antivalent)	5	3RG71 75-0CC00
					Emitter	9	3RG71 75-0BE00
					M12 plug, 4-pole, type F	pnp, light-ON and dark-ON (antivalent)	5
					Emitter	9	3RG71 75-3BE00
Angled sensor							
	Laser thru-beam sensor	50 (adjustable via potentiometer)	660 (red, polarized)	3 m cable, PUR, 4 0.25 mm ²	pnp, light-ON and surplus light function	6	3RG71 75-0CD00
					M12 plug, 4-pole, type F	pnp, light-ON and surplus light function	6

Dimensions

Straight sensor



Angled sensor

